

# Technical data sheet

Product features



## Solid Top gas cooker with cabinet

<b>Model</b>	<b>SAP Code</b>	00008663
--------------	-----------------	----------



- Device type: Gas unit
- Power consumption of the zone 1 [kW]: 6,6
- Power consumption of the zone 2 [kW]: 4
- Power consumption of the zone 3 [kW]: 8,5
- Ignition: Piezo + Eternal Flame
- Material: AISI 304 top plate and cladding

<b>SAP Code</b>	00008663	<b>Type of gas</b>	Natural gas, propane butane
<b>Net Width [mm]</b>	800	<b>Number of zones</b>	3
<b>Net Depth [mm]</b>	730	<b>Power consumption of the zone 1 [kW]</b>	6,6
<b>Net Height [mm]</b>	900	<b>Power consumption of the zone 2 [kW]</b>	4
<b>Net Weight [kg]</b>	98.50	<b>Power consumption of the zone 3 [kW]</b>	8,5
<b>Power gas [kW]</b>	19.100	<b>Solid top dimensions [mm x mm]</b>	370 x 545

# Technical data sheet

Technical drawing

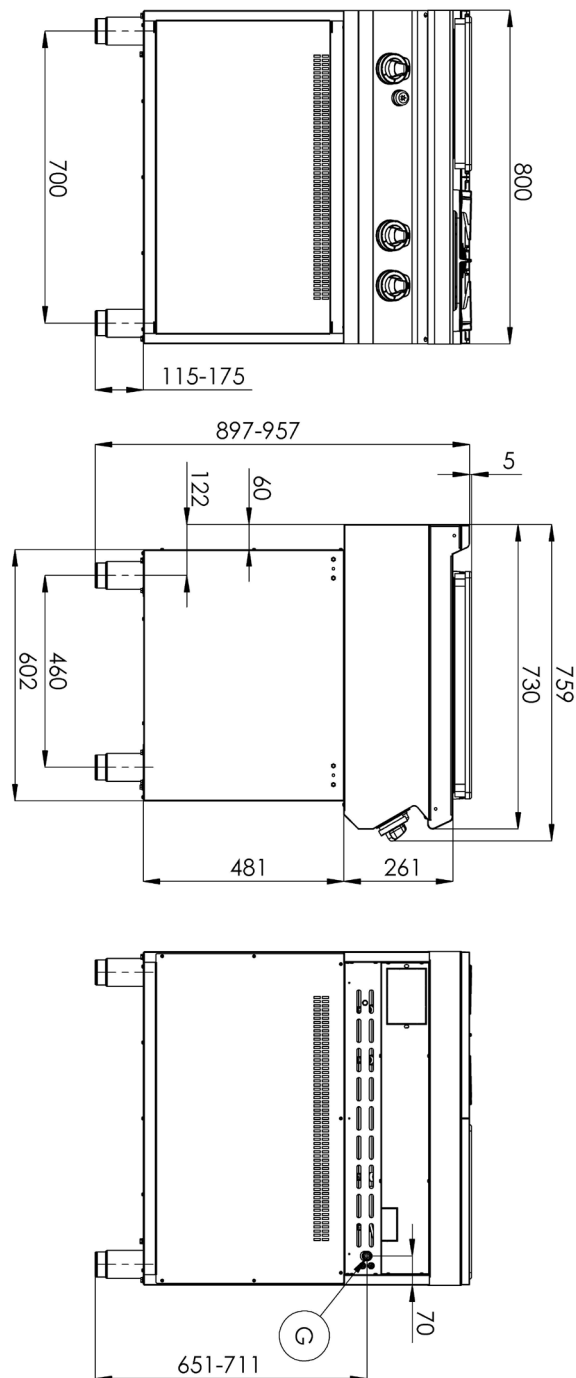


## Solid Top gas cooker with cabinet

Model

SAP Code

00008663



# Technical data sheet

Technical parameters



## Solid Top gas cooker with cabinet

**Model**

**SAP Code**

00008663

**1. SAP Code:**

00008663

**2. Net Width [mm]:**

800

**3. Net Depth [mm]:**

730

**4. Net Height [mm]:**

900

**5. Net Weight [kg]:**

98.50

**6. Gross Width [mm]:**

840

**7. Gross depth [mm]:**

800

**8. Gross Height [mm]:**

1080

**9. Gross Weight [kg]:**

108.50

**10. Device type:**

Gas unit

**11. Construction type of device:**

With substructure

**12. Power gas [kW]:**

19.100

**13. Ignition:**

Piezo + Eternal Flame

**14. Type of gas:**

Natural gas, propane butane

**15. Exterior color of the device:**

Stainless steel

**16. Material:**

AISI 304 top plate and cladding

**17. Worktop type:**

Molded - comfortable cleaning maintenance

**18. Worktop material:**

AISI 304

**19. Worktop Thickness [mm]:**

1.50

**20. Number of zones:**

3

**21. Power consumption of the zone 1 [kW]:**

6,6

**22. Power consumption of the zone 2 [kW]:**

4

**23. Power consumption of the zone 3 [kW]:**

8,5

**24. Grid material:**

Cast iron

**25. Service accessibility:**

Trough the frontal panel

**26. Safety thermocouple:**

Yes

**27. Adjustable feet:**

Yes

**28. Number of burners/hot plates:**

3

# Technical data sheet

Technical parameters



## Solid Top gas cooker with cabinet

Model

SAP Code

00008663

### 29. Type of gas cooking zones:

Fire protection to install + Classic burners

### 30. Burner type:

Brass, detachable

### 31. Timer:

No

### 32. Solid top thickness [mm]:

30

### 33. Solid top dimensions [mm x mm]:

370 x 545

### 34. Solid top ignition:

Piezo + Eternal Flame

### 35. Connection to a ball valve:

1/2